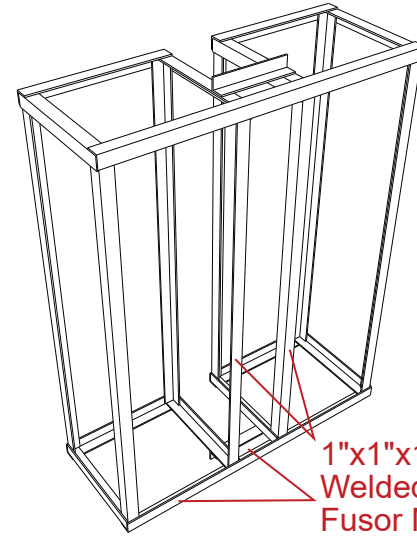
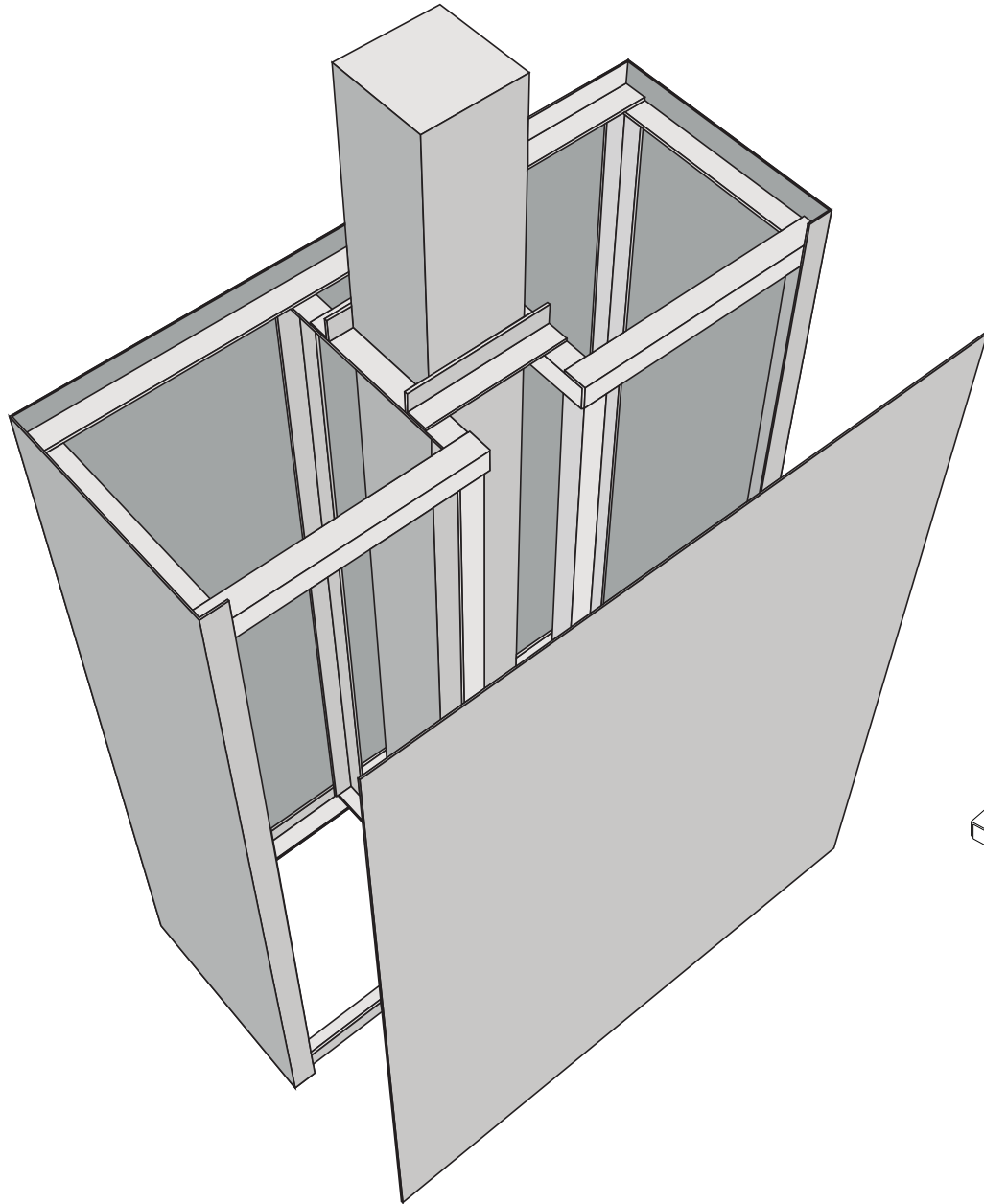


# Pole Cover



1"x1"x1/8" Alum. Angle Frame  
Welded, Riveted or Glued w/Lord  
Fusor Metal Bonding Adhesive.  
Dimension vary to accommodate  
Pole Size & Pole Cover Overall  
Dimensions.

